



Feature -



- small size
- bi-color LED illuminated available
- long life cycles

Application -

- consumer products
- computer products
- instrumentation
- communication equipments

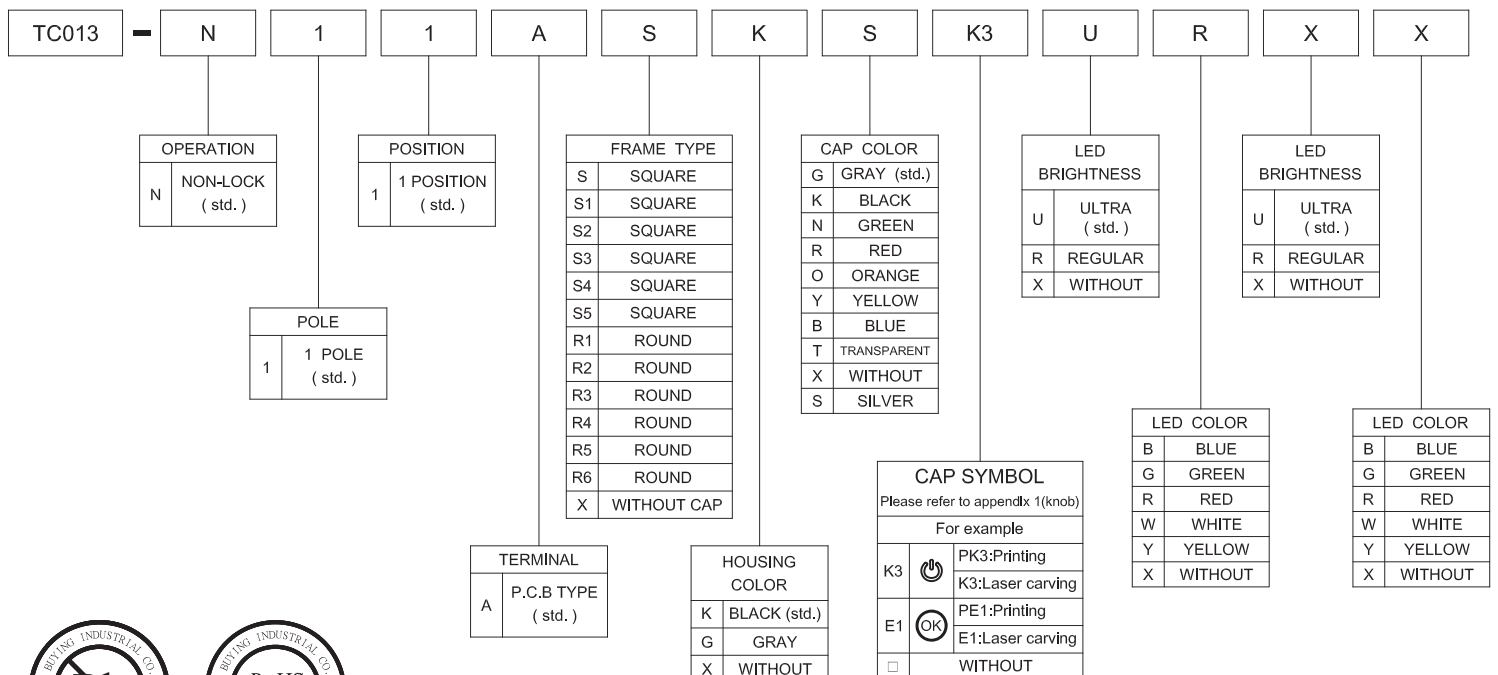
► SPECIFICATIONS

SWITCH SPECIFICATIONS	
POLE - POSITION	1P1T , with LED
CONTACT RATING	12 V DC , 50 mA
CONTACT RESISTANCE	100 mΩ MAX. 1.5 V DC ; 100 mA , by Method of Voltage DROP
INSULATION RESISTANCE	100 MΩ MIN. 500 V DC
DIELECTRIC STRENGTH	Breakdown is not Allowable ; 500 V AC for 1 Minute
OPERATING FORCE	180 ± 50 gf
OPERATING LIFE	500,000 cycles
OPERATING TEMPERATURE RANGE	-20°C ~ 70°C
TOTAL TRAVEL	0.2 ± 0.1 mm

LED SPECIFICATIONS		Unit	Value / LED Color				
			Blue	Green	Red	White	Yellow
 ATTENTION	 LEDs are Electrostatic Sensitive devices						
FORWARD CURRENT	I _f	mA	10	20	20	2	20
REVERSE VOLTAGE	V _r	V	5.0	5.0	5.0	5.0	5.0
REVERSE CURRENT	I _r	μA	10	10	10	10	10
FORWARD VOLTAGE	V _f	V	@ 10mA 3.0-4.0	2.1-2.5	2.0-2.5	@ 2mA 2.8-4.0	2.0-2.5
LUMINOUS INTENSITY	I _v	mcd	@ 10mA 200	800	1800	@ 2mA 12	1800

■ Physical and electrical information of LED will be provided upon customer's request on switches .

► HOW TO ORDER

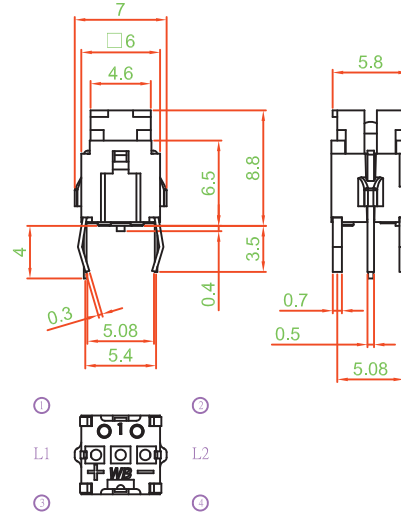


TC013 SERIES

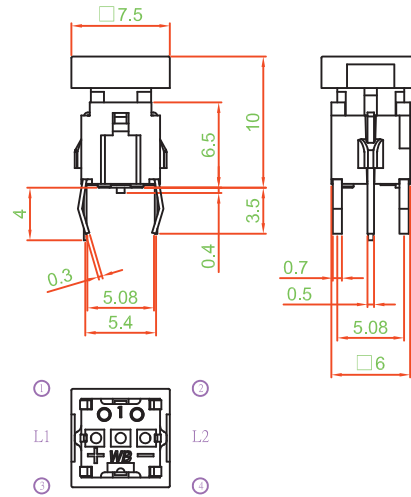
LED TACT SWITCH

► DIMENSION

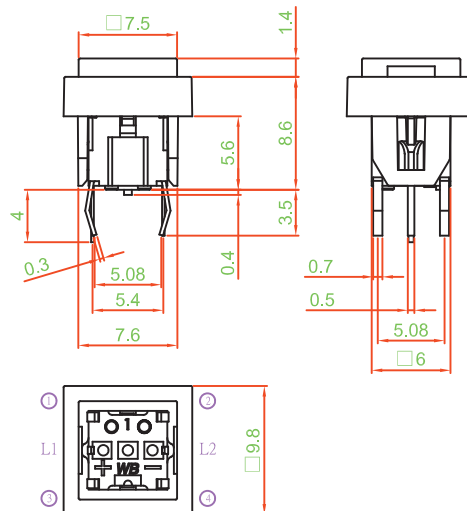
TC013-N11AXXX □ □ □ □



TC013-N11ASXK □ □ □ □

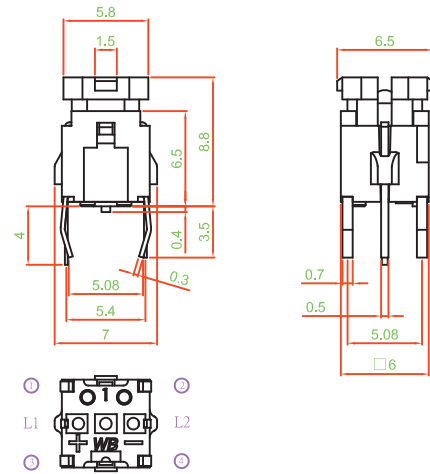


TC013-N11ASKK □ □ □ □

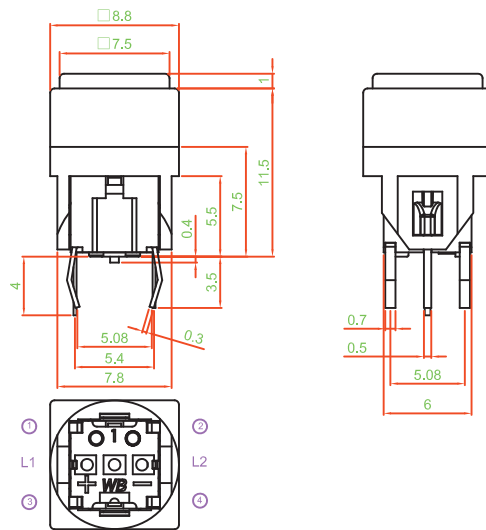


► DIMENSION

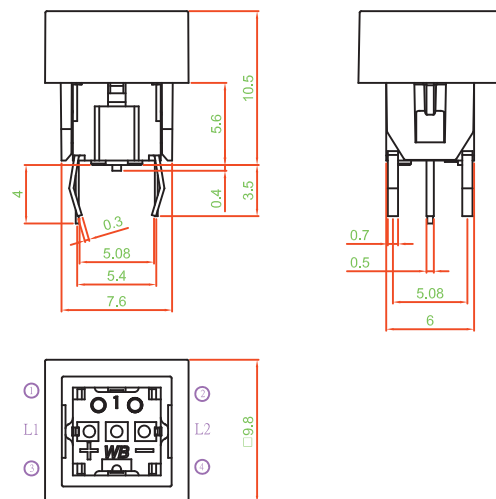
TC013-N11AS1XX □ □ □ □



TC013-N11AS1KT □ □ □ □



TC013-N11AS2KW □ □ □ □

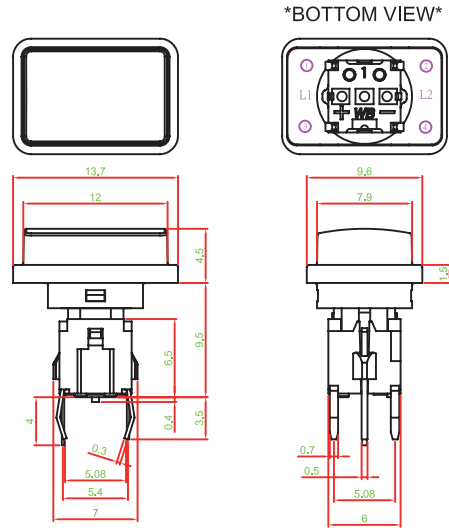


TC013 SERIES

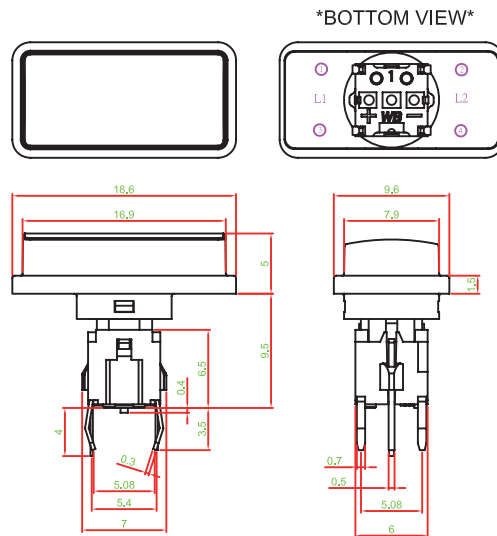
LED TACT SWITCH

▶ DIMENSION

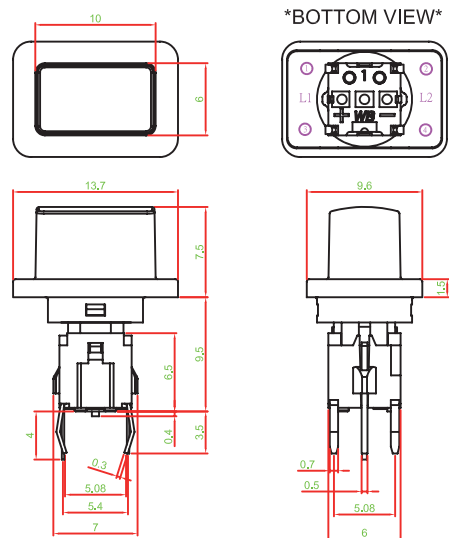
TC013-N11AS3XW □□□□



TC013-N11AS4XW □□□□

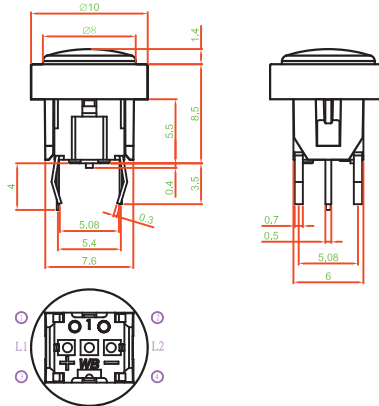


TC013-N11AS5XW □□□□

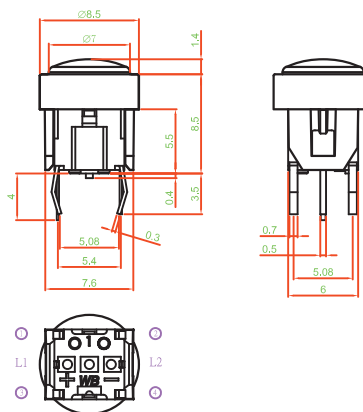


► DIMENSION

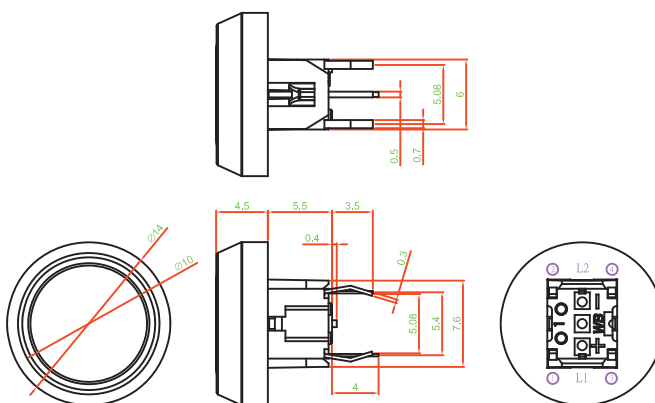
TC013-N11AR1KW □ □ □ □



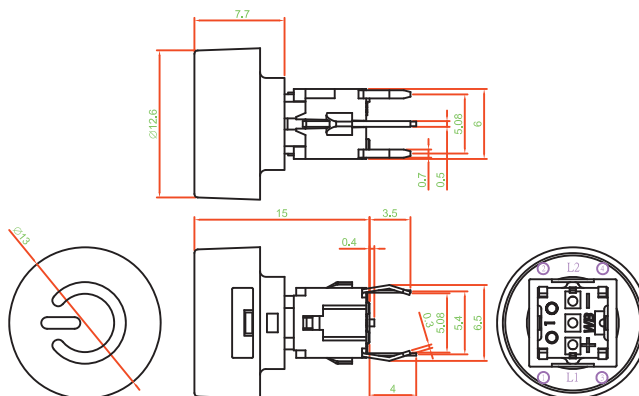
TC013-N11AR2KW □ □ □ □



TC013-N11AR3KW □ □ □ □



TC013-N11AR4XKK3 □ □ □ □

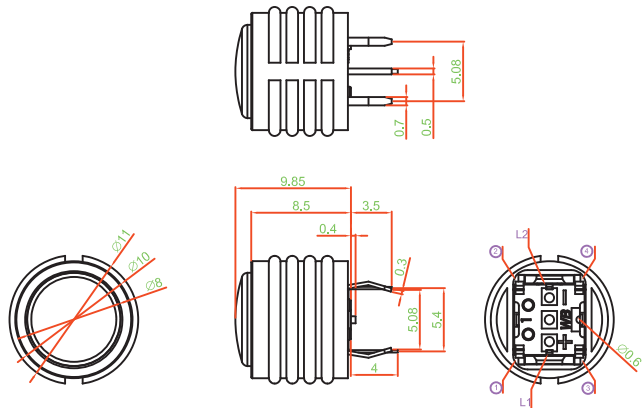


TC013 SERIES

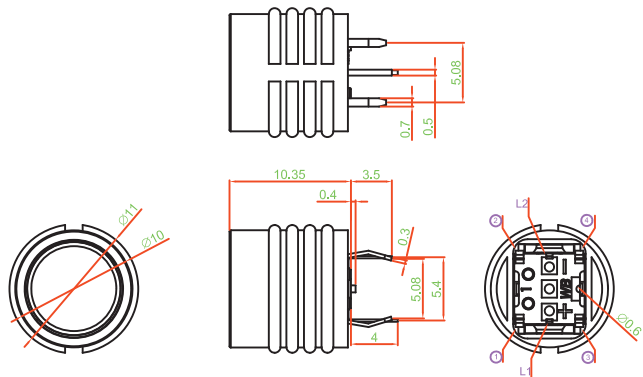
LED TACT SWITCH

DIMENSION

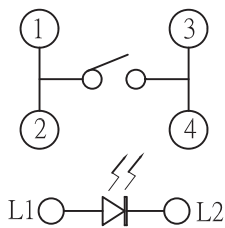
TC013-N11AR5KW □ □ □ □



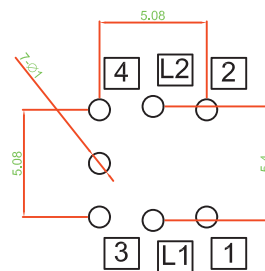
TC013-N11AR6KW □ □ □ □



CIRCUIT



P.C.B LAYOUT



MATERIAL

- COVER : PA
- ACTUATOR : PA + GF
- BASE FRAME : PA + GF
- TERMINAL : BRASS SILVER PLATING

UNIT WEIGHT

- TC013-N11AXXX □ □ □ □ : 0.35 ± 0.05 g / pc
- TC013-N11ASXK □ □ □ □ : 0.45 ± 0.05 g / pc
- TC013-N11ASKK □ □ □ □ : 0.65 ± 0.05 g / pc
- TC013-N11AS1XX □ □ □ □ : 0.50 ± 0.05 g / pc
- TC013-N11AS1KT □ □ □ □ : 0.72 ± 0.05 g / pc
- TC013-N11AS3XK □ □ □ □ : 0.70 ± 0.05 g / pc
- TC013-N11AS4XK □ □ □ □ : 0.95 ± 0.05 g / pc

